



SUPER SQV KIT
 Vehicle: Nissan 300ZX (Z32)
 Engine: VG30DETT
 Year: 1990 ~ 1996
 Part# 71004-AN005
 v.122206

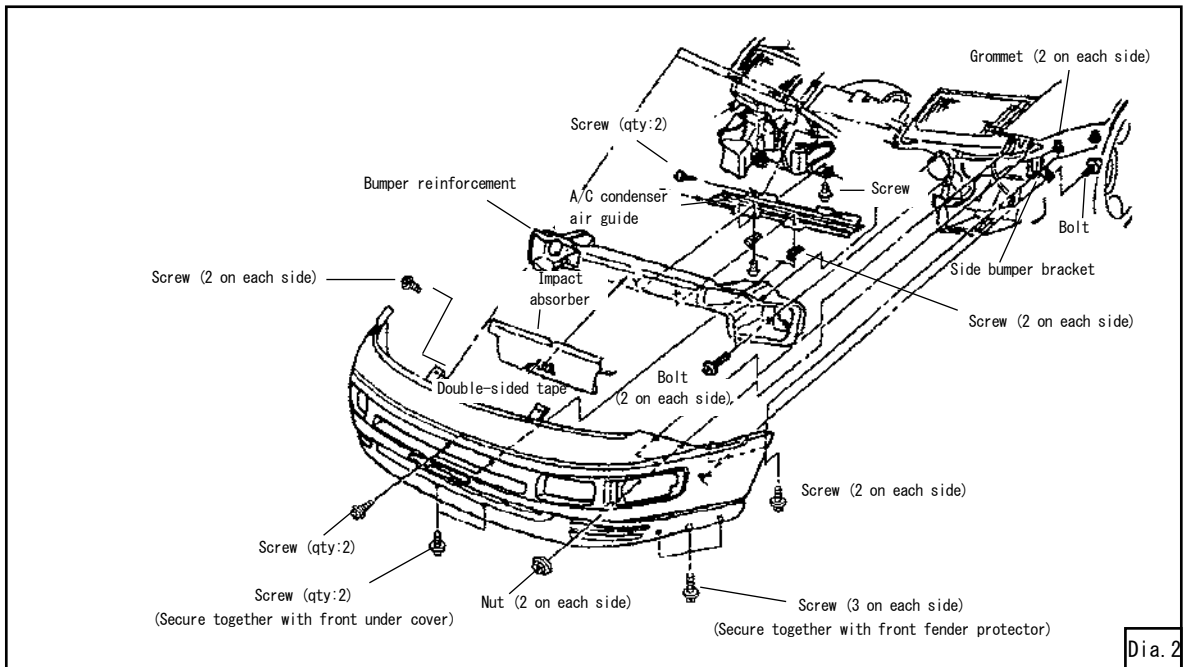
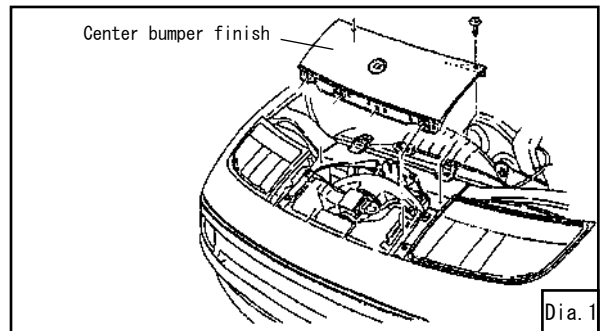
Notice

This manual assumes that you have and know how to use the tools and equipment necessary to safely and efficiently perform service and installation operations on your vehicle. This manual also assumes that you are familiar with typical automotive systems and service repair procedures. Do not attempt to carry out these operations unless these assumptions are correct. Always have access to a factory repair manual. Many of the procedures in this manual may make reference to the factory repair manual.

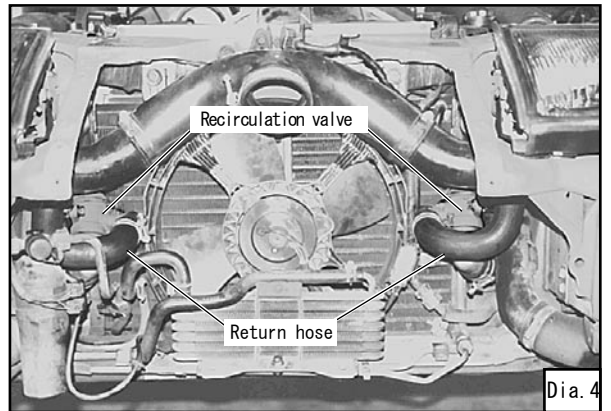
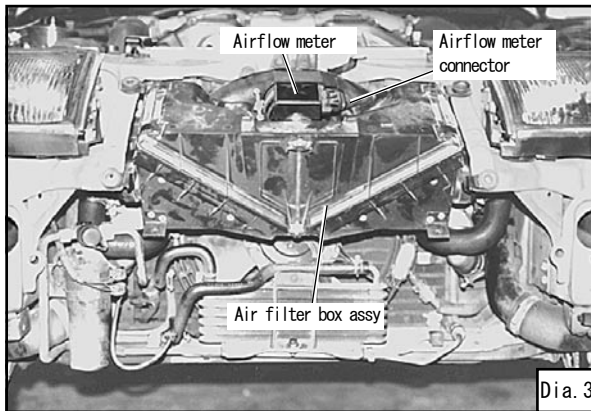
Installation

1. Removing factory parts.

- 1) Remove battery cable from the negative (-) terminal of the battery.
- 2) Remove center bumper finish. (Dia.1)
- 3) Remove front under cover, front fender protector, front combination light, and fog lights.
- 4) Remove front bumper along with bumper reinforcement. (Dia.2)



- 5) Remove airflow meter connector. (Dia.3)
- 6) Remove airflow meter and upper air filter box together. (Dia.3)
- 7) Remove recirculation valve along with the return hose on both sides. (Dia.4)

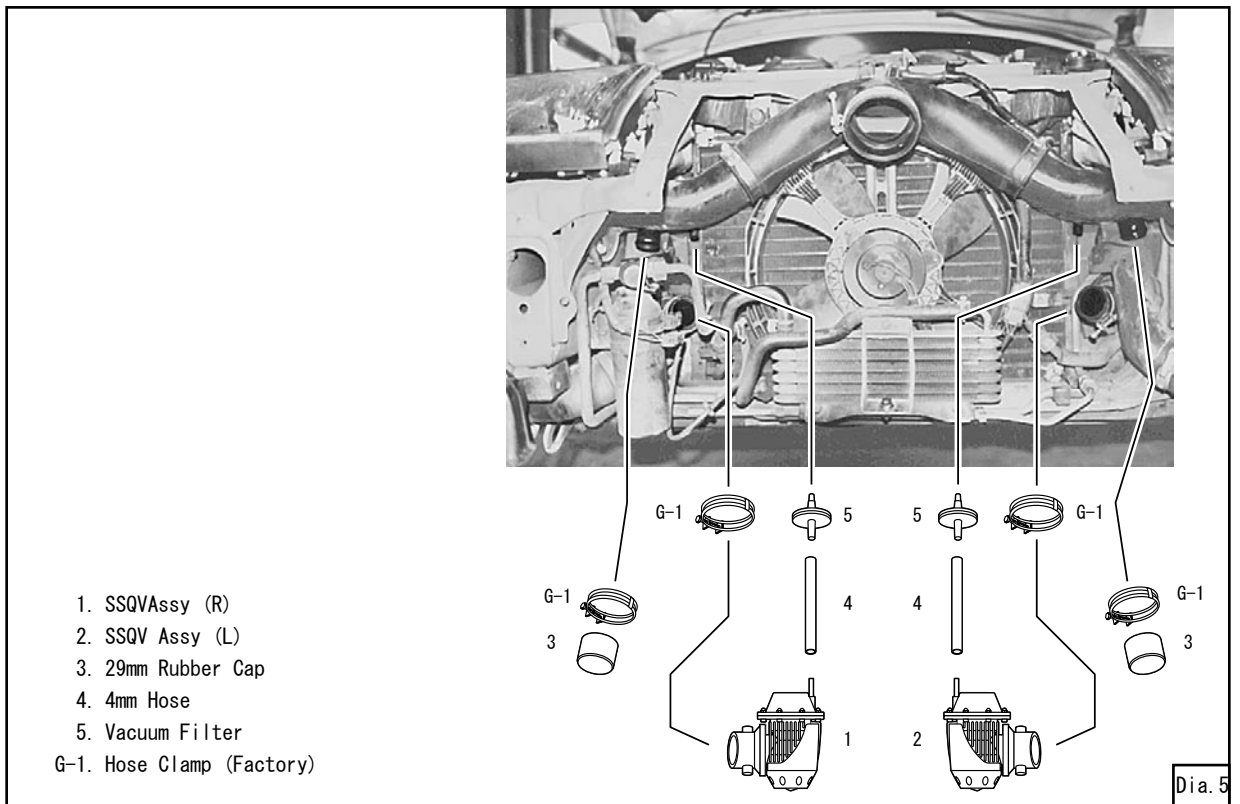


Note:

Make sure foreign objects do not get inside the pipes and hoses during installation and removal.

2. Installing Kit

- 1) Install 29mm rubber cap onto suction hose. (reuse factory hose clamp) (Dia.5)
- 2) Attach SSQV assy as shown in the diagram. (Dia.5)



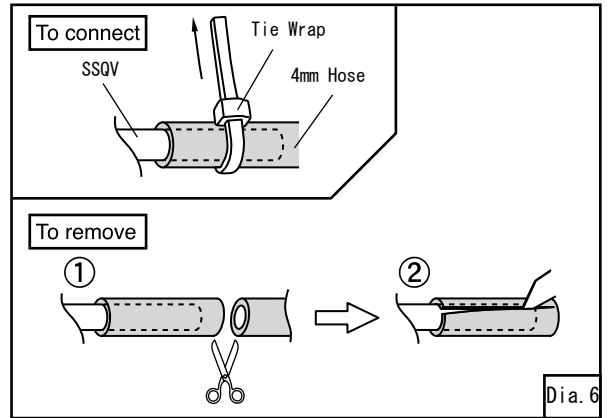
- 3) Install the vacuum hose using the supplied vacuum filter and attach the other end to the SSQV. Secure with a tie wrap. (Cut the 4mm hose to the desired length before use.) (Dia.5, Dia.6)

Connect the SSQV to the factory Air Bypass Operation Hose (intake manifold pressure).

Note:

When removing the 4mm hose from the SSQV; remove the tie wrap and slice the hose down the middle (Dia.6).

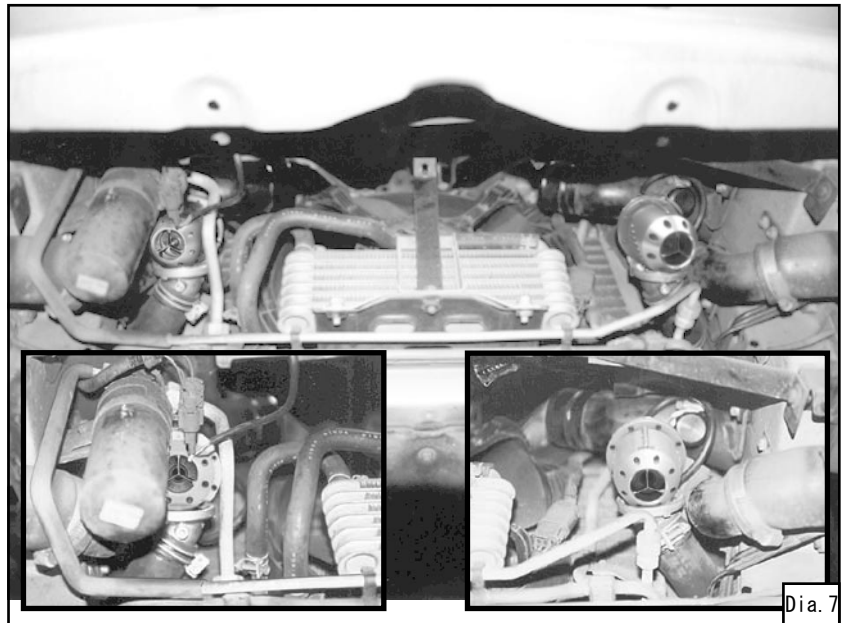
Do not pull or force the 4mm hose off using pliers. Doing so may damage the blow-off valve assembly.



- 4) Tighten hose clamp. (Dia.7)
- 5) Reinstall airflow meter and air filter box.
- 6) Reconnect airflow meter connector.
- 7) Install bumper reinforcement and front bumper. (Dia.2)
- 8) Reinstall center bumper finish. (Dia.1)
- 9) Reconnect battery cable to the negative (-) side of battery.

Note:

It is not recommended to remove air filter box without removing the front bumper because it may cause air filter box to deform.



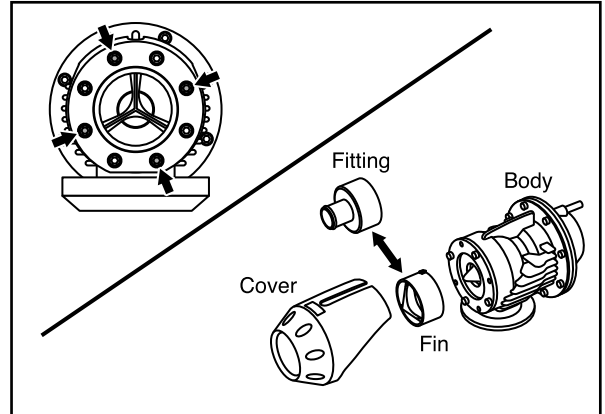
How to install the Super SQV Recirculation Fitting

If it is necessary to recirculate the SSQV back into the suction pipe, please refer to the instructions below. Miscellaneous hose clamps, suction pipe fitting and return hose are not included in this kit.








1. Remove the (4) 2.5mm allen bolts (per diagram) and remove the cover.

Please do not remove the remaining (4) 2.5mm allen bolts as they are to stay affixed to the SSQV main body.

2. After removal of the cover, the fin can be removed.
3. Install the Recirculation Fitting. Reinstall the cover and tighten the (4) 2.5mm allen bolts.



Parts List

No.	Part	Dty.	Image	Remarks	No.	Part	Dty.	Image	Remarks	No.	Part	Dty.	Image	Remarks
1	SSQV assy	1		Right side	4	Hose	1		4mm L=500	7	Recirculation fitting	2		
2	SSQV assy	1		Left side	5	1410-SA008 Vacuum filter	2			8	Instruction manual	1		
3	14999-AK026 Rubber cap	2		29mm	6	Tie wrap	5		L=100	9				